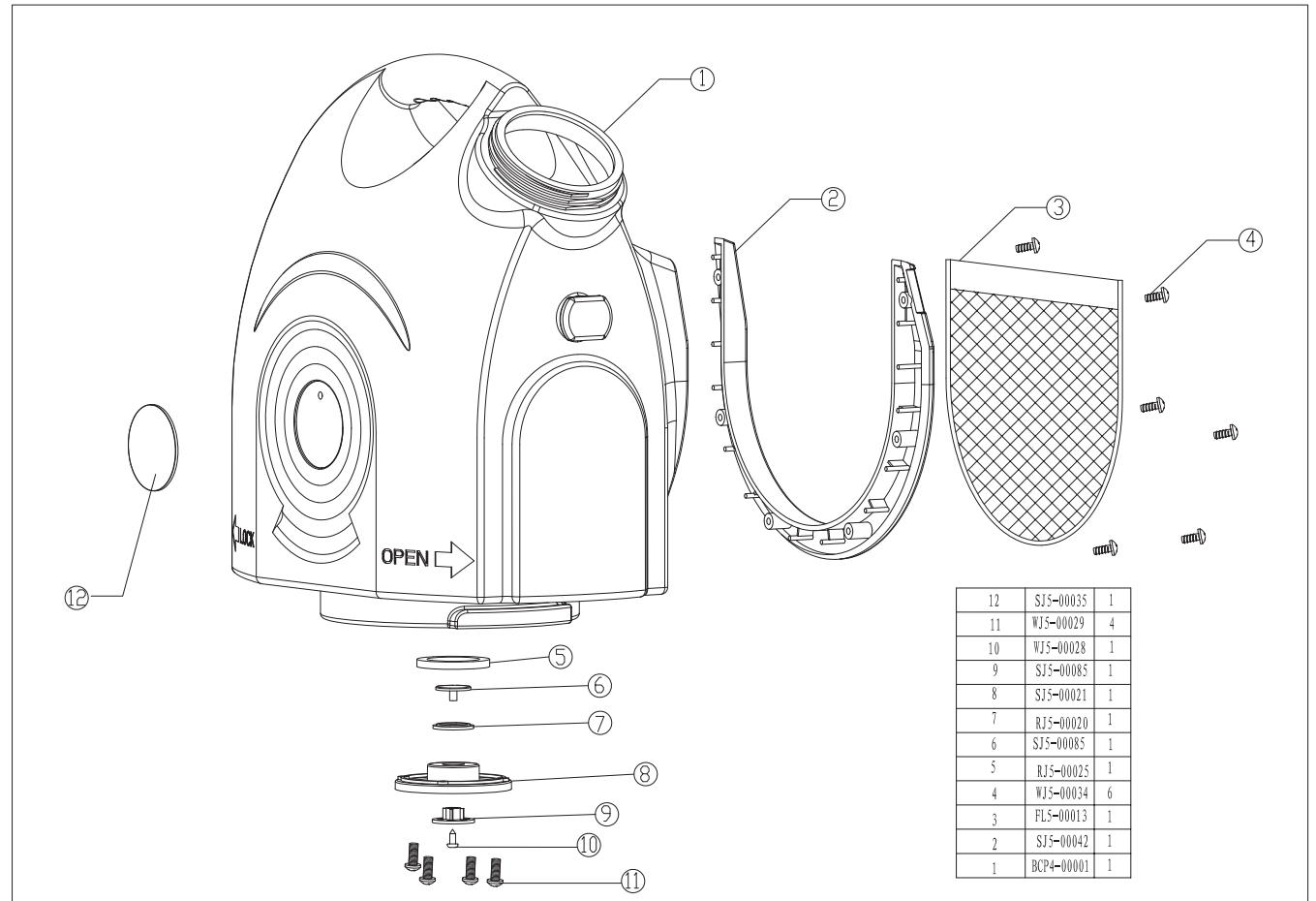
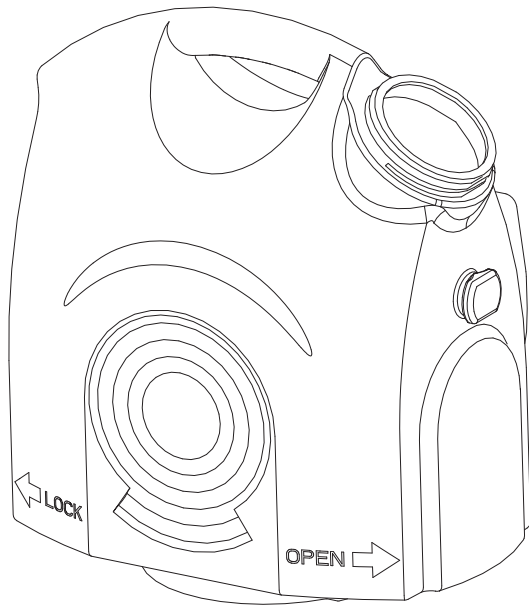
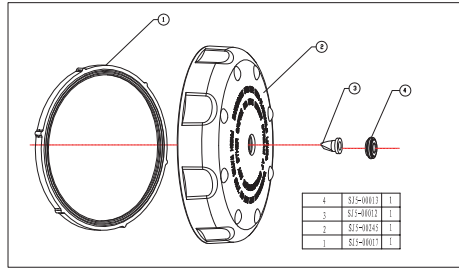


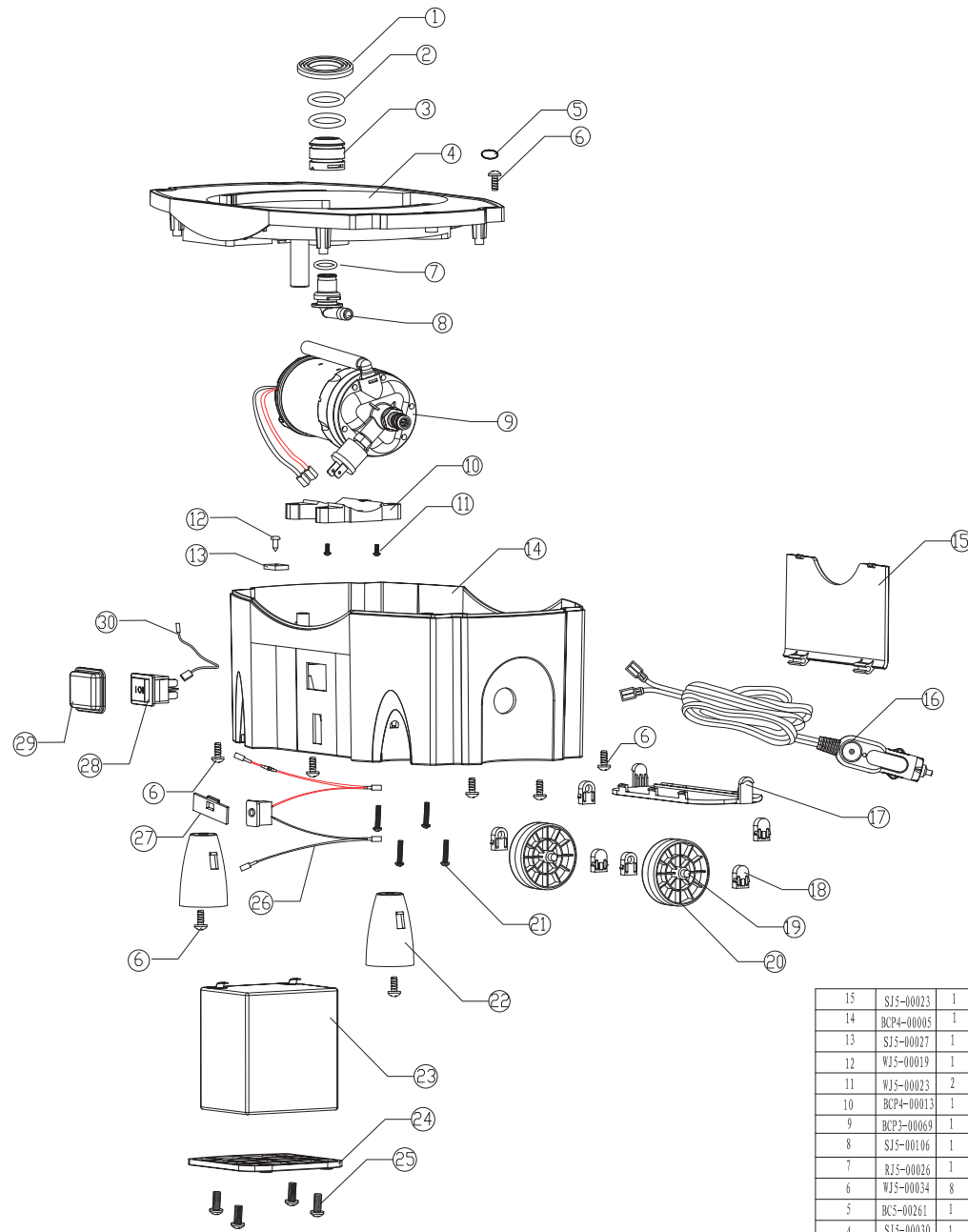
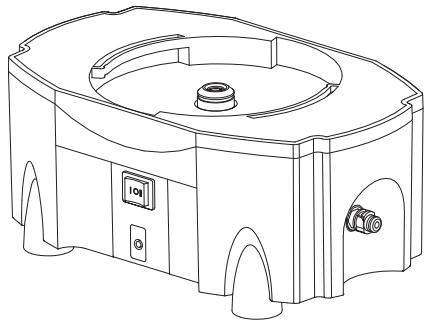


aqua2go[®] GD70





aqua2go® GD70




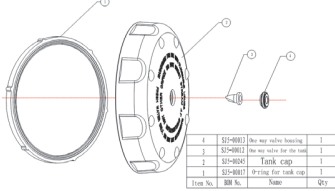
15	SJS-00023	1
14	BCP4-00005	1
13	SJS-00027	1
12	WJS-00019	1
11	WJS-00023	2
10	BCP4-00013	1
9	BCP3-00069	1
8	SJS-00106	1
7	RJS-00026	1
6	WJS-00034	8
5	BCS-00261	1
4	SJS-00030	1
3	SJS-00092	1
2	RJS-00036	2
1	RJS-00027	1

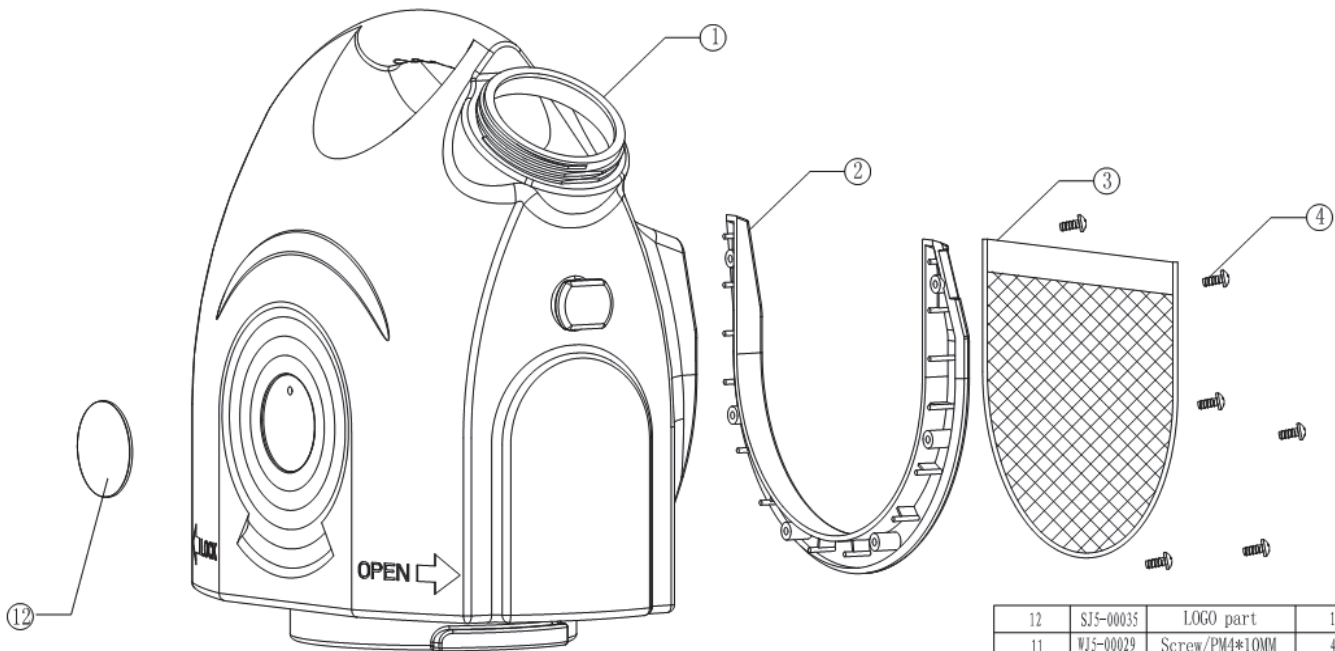
30	DZS-00022	1
29	SJS-00033	1
28	DZS-00025	1
27	SJS-00026	1
26	BCP4-00015	1
25	WJS-00029	4
24	SJS-00031	1
23	DZS-00012	1
22	SJS-00022	2
21	WJS-00030	4
20	SJS-00019	2
19	WJS-00036	2
18	SJS-00018	6
17	SJS-00024	1
16	BCP4-00003	1



aqua2go[®] GD73

Part no. for the completed water tank: BCP2-00098

Ref No.	Part's Name	Part's No.	
1	Water Tank 17L in Green	BCP4-00044	
2	Mesh mounting bracket	SJ5-00042	
3	Mesh Pocket with Aqua2go logo	BCP3-00048	
4	Screw PB4*10 for mounting mesh	WJ5-00034	
5	 Water Tank Water Outlet Sealing Assy BCP4-00004	RJ5-00025	
6		SJ5-00085	
7		RJ5-00020	
8		SJ5-00021	
9		SJ5-00086	
10		WJ5-00028	
11	Screw BM4*10 for Sealing Assy	WJ5-00029	
12	Screen Print Aqua2go logo	BCP4-00135	
13	 Tank Cap Assy	BCP4-00002	

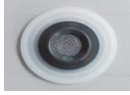


12	SJ5-00035	LOGO part	1
11	WJ5-00029	Screw/PM4*10MM	4
10	WJ5-00028	Screw/PA2, 6*6mm	1
9	SJ5-00085	Necessary part B for check valve	1
8	SJ5-00021	Mounting part for check valve	1
7	RJ5-00020	seal part	1
6	SJ5-00085	Necessary part A for check valve	1
5	RJ5-00025	O-ring for the bottom of the tank	1
4	WJ5-00034	Screw/PB4*10mm	6
3	FL5-00013	Mesh bag for CI	1
2	SJ5-00042	Mesh rack for CI	1
1	BCP4-00001	Water tank	1
Item No.	BOM No.	Name	Qty



aqua2go[®] **GD73**

Part no. for the completed base for Aqua2go: BCP2-00510

Ref No.	Part's Name	Part's No.	
1	O-RING $\Phi 46 * \Phi 27 * 5 \text{mm}$	RJ5-00027	
2	Connector Assy with filter screen BCP4-00011 	O-ring RJ5-00036	
3		Connector SJ5-00092	
3a		filter screen WJ5-00039	
4	Upper Cover for Base housing	SJ5-00030	
5	Sticker for covering the screw hole	BC5-00823	
6	Screw PB4*10	WJ5-00034	
7	Water Inlet connector Assy to Pump BCP4-00012	O-ring RJ5-00026	
8		Inlet Connector SJ5-00106	
9	Pump	*BCP4-00412	
10	Mounting bracket Assy for pump	SJ5-01274	
11	Screw BM $\Phi 4 * 10$	WJ5-00023	
12	battery 2200mAh	DZ5-00347	
13	fixed part for PCBA	SJ5-01275	
14	Base Housing	SJ5-01270	
15	cover for 12V connection	SJ5-01272	
16	Cigar Lighter Power Cord 3m	BCP4-01221	
17	Cover for charger compartment	SJ5-01271	
18	charger (EU plug)	*DZ5-00371	
19	EVA cushion	RJ5-00204	
20	PCBA	DZ5-00346	
21	Screw BM $\Phi 4 * 10$	WJ5-00023	
22	cover for on-off switch	SJ5-01273	
23	Rubber cover	RJ5-00203	

